

- AS/NZS PAM INTEGRAL ZINALIUM[®] Pipe with Tyton Type Joint DN100-750
- DN100-750 PN 35



CODE	DN	Lu	PN	e	ØDE	ØID	P	ØB	Mass
	mm			m					
DIP35100INT	100	5.75	PN35	4.9	122	124.7	89	162.7	17.5
DIP35150INT	150	5.75	PN35	5.0	177	179.7	89	218.3	26.1
DIP35200INT	200	5.75	PN35	5.0	232	235.2	102	278.2	34.8
DIP35250INT	250	5.75	PN35	5.2	286	289.0	102	329.5	44.6
DIP35300INT	300	5.75	PN35	5.9	345	348.2	102	391.4	59.0
DIP35375INT	375	5.75	PN35	7.0	426	430.5	127	487.3	84.4
DIP35450INT	450	5.75	PN35	8.1	507	511.2	127	570.7	112.7
DIP35500INT	500	5.75	PN35	8.8	560	564.3	127	626.0	133.0
DIP35600INT	600	5.75	PN35	10.2	667	671.2	135	751.4	178.9
DIP35750INT	750	5.75	PN35	12.3	826	830.2	157	912.7	268.2

Note: Dimensions and mass are given as nominal value Higher pressure is available for Flange Class

Legend

- DN : nominal diameter
- Lu : laying length, in m
- PN : pressure rating according to AS/NZS 2280:2014
- e : nominal thickness according to AS/NZS 2280:2014, in mm
- ØDE : external nominal diameter of the barrel according to AS/NZS 2280:2014, in mm
- ØDI : internal nominal diameter of the socket, in mm
- P : nominal depth of the socket, in mm
- ØB : nominal external diameter of the socket, in mm
- Mass : mean total mass per meter

INTEGRAL[®] ZINALIUM[®]

DUCTILE IRON PIPE

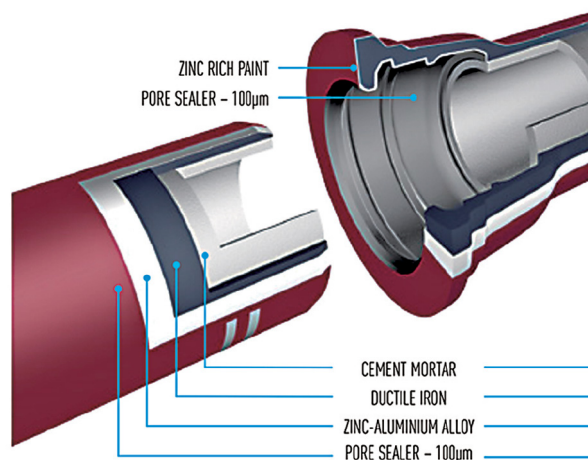


FIELD OF USE:

- For gravity sewer and pressure or pumped sewer networks
- Domestic waste water
- Very hard raw water and irrigation
- For effluents between pH4 and pH12

MAIN CHARACTERISTICS:

- AS Tyton type joint in NBR (supplied by Hultec) to AS1646
- **External coating:**
 - ZINALIUM[®] alloy Zn85Al15 (400 g/m²)
 - Red synthetic pore sealer minimum 100 microns to AS3750.19
- **Internal coating**
 - High Alumina Cement (HAC) to AS3972 type GB
- In conformance to AS/NZS 2280:2014



HYDROCLASS ZINALIUM [®]	
Available Diameter Range	DN100, 150, 200, 225, 250, 300, 375, 450, 500, 600, 750
Pressure Rating	PN20 - Green mark on socket face PN35 - Red mark on socket face Flange Class - Blue mark on socket face
Joints	Automatic push in Tyton type rubber ring joint - DN100 to 300
Deflection	DN100-250: 3.5° DN300-600: 2.5° DN750: 1.0°
External Coating	The external & socket area is coated with a 'red' synthetic coating
Internal Coating	High Alumina Cement (HAC)
Length	DN100 to DN750: L=5.75m